



DIGITAL SERVOS

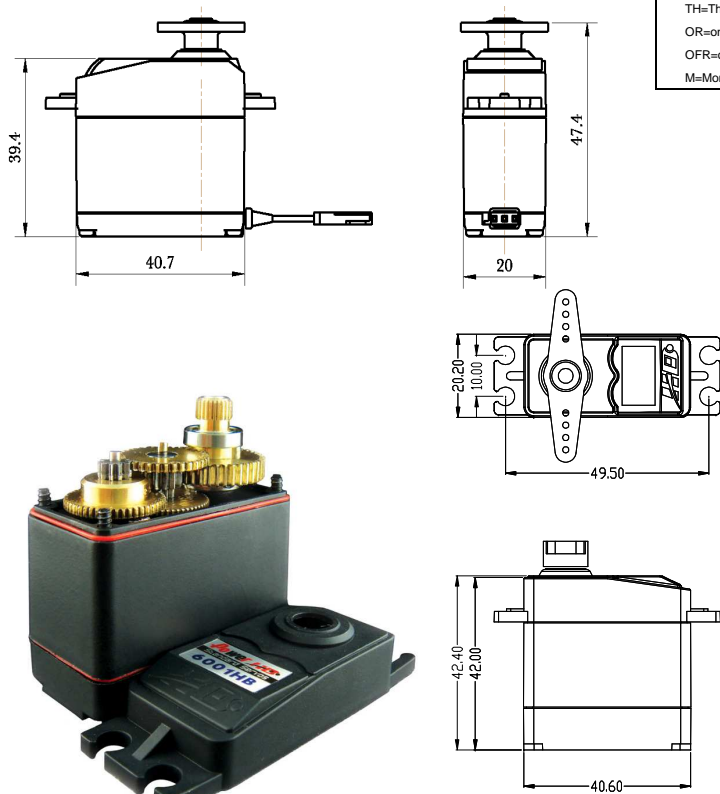
POWER HD, a professional and enthusiastic manufacturer of radio control key components. Innovative technology and reliable quality is the heart of POWER HD. We design, develop and manufacture our own products. Our professional and experienced R&D team is striving for developing superb performance, most reliable and most compatible products offering ultimate facileness and fun to end users. In POWER HD, each single product is checked and tested through a series of strict and accurate QC (Quality Control) process by leading edge technology facilities.



Standard Size digital servo - High Cost/Performance Rate

DIGITAL SERVOS	Trainer	Sport 40-60	Pattern	large scale under 30%	large scale over 30%	Helicopter 30	Helicopter 40-50	Helicopter 60-90	Sailplane under 2 meter	Park Flyer	Electric Gas Gas Gas Gas Gas Electric													
											OR	OR	OFR	OR	OFR	M	M	M						
												ST	ST	ST	TH	ST	TH	ST	TH	ST	TH	ST	TH	ST
HD-9150MG			●	●	●																			
HD-9110MG			●	●	●		●	●																
HD-7150MG			●	●	●		●																	
HD-5680MG	●	●																						
HD-4180MG	●		●				●																	
HD-2216MG	●		●				●																	
HD-2213MG	●	●					●																	
HD-1810MG	●	●	●				●																	
HD-1581HB	●	●	●				●																	

ST=Steering
TH=Throttle
OR=on road
OFR=off road
M=Monster gas



Part Number	Description	Weight (g)	Dimension L x W x H	Voltage @	Torque In kg-cm	Speed In sec/60°	Gear Type	Ball Bearing
HD-9150MG	High Torque Digital Servo	61.0	40.7 x 20 x 42.2	4.8 / 6.0	13 / 16	0.20 / 0.18	M	2
HD-9110MG	High Speed Digital Servo	49.0	40.7 x 20 x 39.4	4.8 / 6.0	7.6 / 10.5	0.23 / 0.19	M	2
HD-7150MG	High Torque Digital Servo	49.0	40.7 x 20 x 39.4	4.8 / 6.0	6.2 / 7.2	0.19 / 0.14	M	2
HD-5680MG	High Speed Digital Servo	42.0	40.7 x 20 x 39.4	4.8 / 6.0	4.2 / 6.5	0.16 / 0.14	P	2
HD-4180MG	High Torque Digital Servo	41.0	40.7 x 20 x 37.0	4.8 / 6.0	3.2 / 4.1	0.22 / 0.17	P	2
HD-2216MG	High Speed Alum.Heatsink Digital Servo	15.8	22.8 x 12 x 29.4	4.8 / 6.0	3.1 / 3.9	0.16 / 0.13	M	1
HD-2213MG	High Torque Alum.Heatsink Digital Servo	15.8	22.8 x 12 x 25.4	4.8 / 6.0	3.9 / 4.6	0.21 / 0.16	M/P	1
HD-1810MG	High Torque Alum.Heatsink Digital Servo	15.8	22.8 x 12 x 29.4	4.8 / 6.0	3.1 / 3.9	0.16 / 0.13	M/P	1
HD-1581HB	High Torque Alum.Heatsink Digital Servo	12.3	22.8 x 12 x 29.4	4.8 / 6.0	2.2 / 2.6	0.21 / 0.16	P	1
DS090M	High Speed Alum.Heatsink Digital Servo	NEW! 56.0	40.7 x 20.5 x 39.5	4.8 / 6.0	8.5 / 9.6	0.12 / 0.10	M/P	2
DS120H	High Speed Alum.Heatsink Digital Servo	NEW! 56.0	40.7 x 20.5 x 39.5	4.8 / 6.0	11.8 / 12.8	0.13 / 0.11	M/P	2
HD-1370A	micro size Analoge servo	3.7	20 x 17.6 x 8.0	4.8 / 6.0	0.6 / 0.4	0.12 / 0.1	P	NO
HD-1440A	micro size Analoge servo	4.4	20 x 19.6 x 8.0	4.8 / 6.0	0.8 / 0.6	0.12 / 0.1	P	NO
HD-1550A	micro size Analoge servo	5.5	21 x 19.6 x 20.1	4.8 / 6.0	1.1 / 0.9	0.12 / 0.1	P	NO
HD-1600A	micro size Analoge servo	6.0	22 x 11.7 x 22.8	4.8 / 6.0	1.3 / 1.2	0.12 / 0.1	P	NO
HD-1800A	Mini size High Speed Analoge Servo	NEW! 8.0	22.8 x 11.6 x 26.5	4.8 / 6.0	1.3 / 1.0	0.11 / 0.08	P	NO
HD-1900A	Mini size High Speed Analoge Servo	NEW! 9.0	23.0 x 12.2 x 29.0	4.8 / 6.0	1.5 / 1.2	0.11 / 0.08	P	NO
HD-1160A	Mini size High Torque Analoge Servo	16.0	29 x 11.7 x 30.2	4.8 / 6.0	3.0 / 2.7	0.14 / 0.12	P	NO
3001HB	Standard Size Analoge Servo	NEW! 43.0	40.7 x 20.5 x 39.5	4.8 / 6.0	3.5 / 4.4	0.15 / 0.12	P	2
6001HB	Standard Size Analoge Servo	NEW! 43.0	40.7 x 20.5 x 39.5	4.8 / 6.0	5.8 / 6.7	0.16 / 0.14	P	2
6001MG	Standard Size Analoge Servo	NEW! 56.0	40.7 x 20.5 x 39.5	4.8 / 6.0	6.0 / 7.0	0.16 / 0.14	M/P	2
9001MG	Standard Size Analoge Servo	NEW! 56.0	40.7 x 20.5 x 39.5	4.8 / 6.0	8.6 / 9.8	0.16 / 0.14	M	2
1201MG	Standard Size Analoge Servo	NEW! 60.0	40.7 x 20.5 x 39.5	4.8 / 6.0	12.2 / 13.2	0.16 / 0.14	M	2
1501MG	Standard Size Analoge Servo	NEW! 60.0	40.7 x 20.5 x 39.5	4.8 / 6.0	15.5 / 17.0	0.16 / 0.14	M	2

P=Plastic N=No Ball Bearing
M=Metal 1 =1 Ball Bearing
P/M=Plastic and Metal 2 =2 Ball Bearing